

JOURNEY Wall Sconce / Ceiling Mount
3-622-24

oxygen

FIXTURE TYPE _____

LOCATION _____

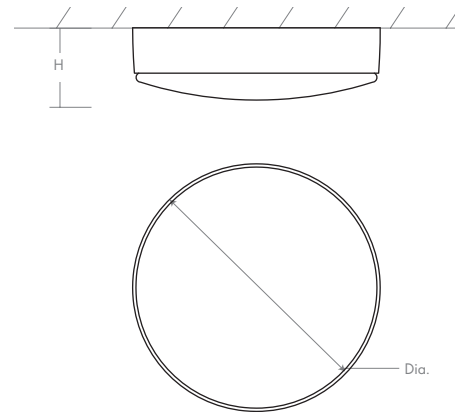
PROJECT _____

DATE _____



-24 Satin Nickel

LIGHT SOURCE	1 x 10.1W LED, 3000K, CRI 90
LUMINAIRE POWER	12.4W at 120V
RATED LIFE	60000 hr RL
OPTIONAL COLOR TEMPERATURES	2700K, 3500K, 4000K
LUMEN OUTPUT	Delivered: 608 lm (LM-79)
INPUT VOLTAGE	120V to 277V AC, 50/60Hz
DRIVER OUTPUT	350mA, 14.7W max power
DIMMING	TRIAC and ELV dimming at 120V AC; 0-10V dimming, 100% to 1% current output
CONSTRUCTION	Plated Steel and Glass
DIFFUSER	- White Opal Glass
FINISHES	Satin Nickel (-24)
MOUNTING	4" Octagonal J-Box
STANDARDS	UL Dry/Damp listed, CEC Title 24 Compliant, Conforms to UL STD 1598, Certified CAN/CSA STD C22.2 No 250.0.



DIMENSIONS
Dia: 11.00"
H: 4.50"

Order example for standard fixture:
3-622-24 (x- Voltage - xxx-Sequence # - xx-Finish)
3: 120V to 277V
 Order example for optional color temperatures: **3-622-2724**
27: 2700K, **35:** 3500K, **40:** 4000K

