

**METRIX Wall Sconce**  
**3-541-xx**

oxygen

FIXTURE TYPE \_\_\_\_\_

LOCATION \_\_\_\_\_

PROJECT \_\_\_\_\_

DATE \_\_\_\_\_

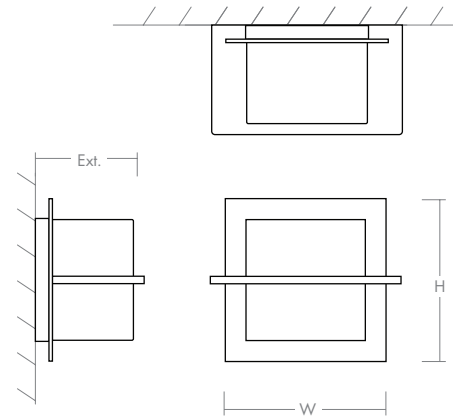


-20 Polished Nickel



-24 Satin Nickel

<b>LIGHT SOURCE</b>	1 x 10.1W LED, 3000K, CRI 90
<b>LUMINAIRE POWER</b>	12.4W at 120V
<b>RATED LIFE</b>	60000 hr RL
<b>OPTIONAL COLOR TEMPERATURES</b>	2700K, 3500K, 4000K
<b>LUMEN OUTPUT</b>	Delivered: 701 lm (LM-79)
<b>INPUT VOLTAGE</b>	120V to 277V AC, 50/60Hz
<b>DRIVER OUTPUT</b>	350mA, 14.7W max power
<b>DIMMING</b>	TRIAC and ELV dimming at 120V AC; 0-10V dimming, 100% to 1% current output
<b>CONSTRUCTION</b>	Plated Steel and Acrylic
<b>DIFFUSER</b>	- Matte White Acrylic
<b>FINISHES</b>	Polished Nickel (-20), Satin Nickel (-24)
<b>MOUNTING</b>	4" Octagonal J-Box*, 4" Square J-Box* with a single device mud ring *Deep J-Box (Required to house driver)
<b>STANDARDS</b>	UL Dry/Damp listed, ADA Compliant, Conforms to UL STD 1598, Certified CAN/CSA STD C22.2 No 250.0.



**DIMENSIONS**

<b>W:</b>	5.75"
<b>H:</b>	5.75"
<b>Ext:</b>	3.875"
<b>M.C:</b>	2.90" From top of fixture

Order example for standard fixture:

**3-541-24** (x- Voltage - xxx-Sequence # - xx-Finish)

3: 120V to 277V

Order example for optional color temperatures: **3-541-2724**

27: 2700K, 35: 3500K, 40: 4000K

