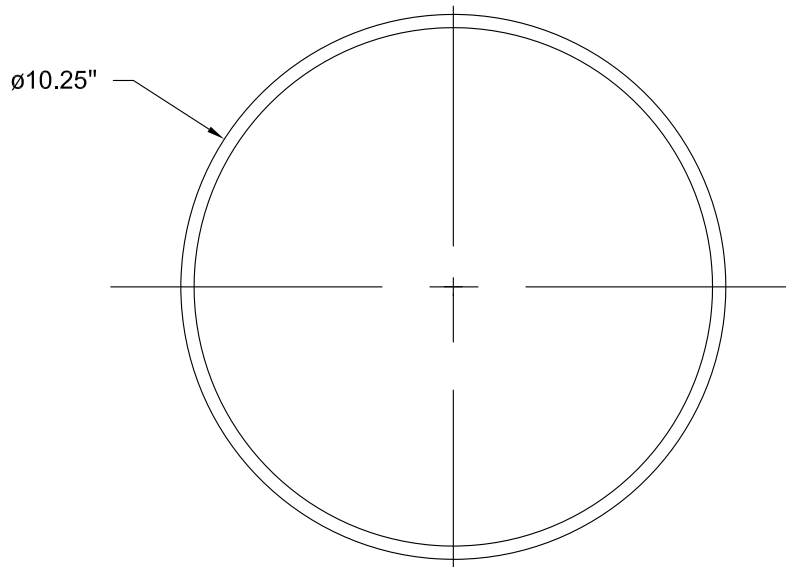


**FRONT VIEW**



**BOTTOM VIEW**

OXYGEN LIGHTING ©

**PEEPERS** surface  
oxygen **32-601-24**

**LAMPING**

- o (1x) 18.2W LED array
- o 3000K, 600mA
- o Initial Lumens: TBD lm
- o Delivered Lumens: TBD lm
- o CRI > 90
- o Color Consistency: 3 Step MacAdam Ellipse

**METAL FINISHES**

- o **20** - Polished Nickel
- o **24** - Satin Nickel
- o **40** - Aged Brass

**DIMENSIONS**

- o 10.25" (dia.) x 3.375" (ext.)

**INSTALLATION**

- o 2" x 3" J-Box
- o 4" Octagon J-Box
- o ETL Dry/Damp Listed
- o ADA
- o Approved for ceiling or wall mount application
- o Conforms to UL STD 1598
- o Certified CAN/CSA STD C22.2 No. 250.0

**DRIVER (Dimmable)**

- o (1x) 0-10v Dimming, Universal voltage, Constant Current, @600mA

**INPUT VOLTAGE**

- o 120v OR 277v 50/60Hz

**Sample Catalog Number**

| Series # | Finish | = | Catalog Number |
|----------|--------|---|----------------|
| 32-601   | 24     | = | 32-601-24      |



**oxygen**

OXYGEN LIGHTING  
201 RAILHEAD RD, FORT WORTH, TX 76106  
TEL. (877) 607-0202 FAX (877) 607-0203  
WWW.OXYGENLIGHTING.COM

PROJECT: \_\_\_\_\_

DATE: \_\_\_\_\_

