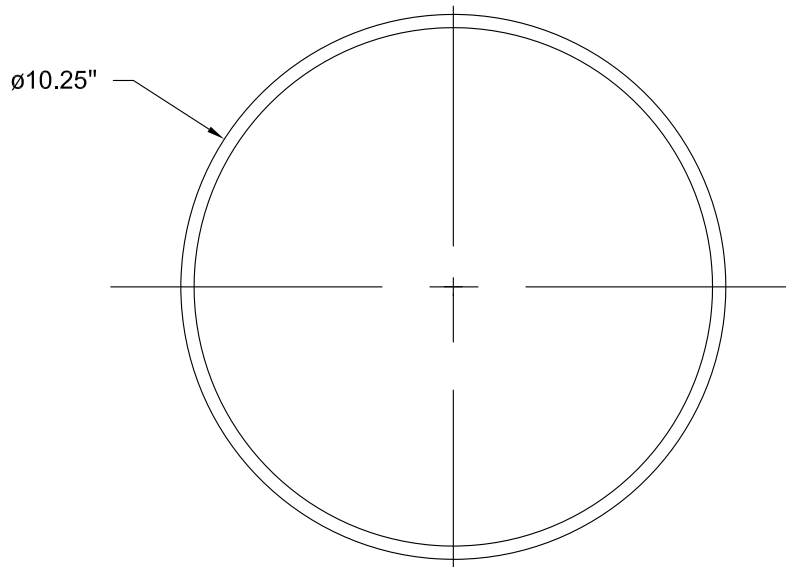


FRONT VIEW



BOTTOM VIEW

OXYGEN LIGHTING ©

PEEPERS surface
oxygen **32-601-20**

LAMPING

- o (1x) 18.2W LED array
- o 3000K, 600mA
- o Initial Lumens: TBD lm
- o Delivered Lumens: TBD lm
- o CRI > 90
- o Color Consistency: 3 Step MacAdam Ellipse

METAL FINISHES

- o **20** - Polished Nickel
- o **24** - Satin Nickel
- o **40** - Aged Brass

DIMENSIONS

- o 10.25" (dia.) x 3.375" (ext.)

INSTALLATION

- o 2" x 3" J-Box
- o 4" Octagon J-Box
- o ETL Dry/Damp Listed
- o ADA
- o Approved for ceiling or wall mount application
- o Conforms to UL STD 1598
- o Certified CAN/CSA STD C22.2 No. 250.0

DRIVER (Dimmable)

- o (1x) 0-10v Dimming, Universal voltage, Constant Current, @600mA

INPUT VOLTAGE

- o 120v OR 277v 50/60Hz

Sample Catalog Number

Series #	Finish	=	Catalog Number
32-601	24	=	32-601-24



oxygen

OXYGEN LIGHTING
201 RAILHEAD RD, FORT WORTH, TX 76106
TEL. (877) 607-0202 FAX (877) 607-0203
WWW.OXYGENLIGHTING.COM

PROJECT: _____

DATE: _____

